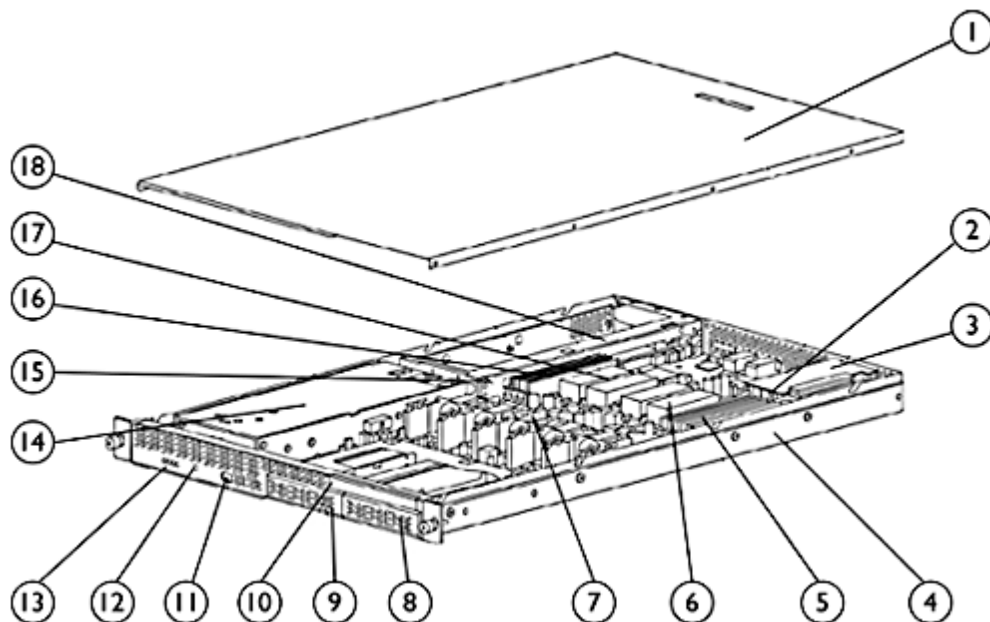


Overview



- | | |
|---|---|
| 1. Server Cover | 11. USB |
| 2. DL145 Lights-Out 100 Integrated Remote Management Card | 12. Power Button |
| 3. Video Controller | 13. HDD Activity, NIC Activity, System Status LED and Power LED |
| 4. Memory Bank 2 VRM | 14. Power supply (500 watts) |
| 5. Memory Bank 2A & 2B, supporting up to 8GB PC2700 DDR SDRAM | 15. Memory bank 1 VRM |
| 6. Processor 2 | 16. Memory Bank 1A & 1B, supporting up to 8GB PC2700 DDR SDRAM |
| 7. System fans | 17. Processor 1 |
| 8. Non-Hot Pluggable drive bay 1 | 18. PCI-X riser assembly, supporting 1 PCI-X 64-bit 133MHz expansion slot |
| 9. Non-Hot Pluggable drive bay 2 | |
| 10. Optional DVD ROM Drive | |

What's New

New 1U server supports 2 AMD Opteron Model 250(2.4GHz/1MB) Processors and 800MHz HyperTransport Technology Support for 2 non-hot plug *SCSI drives with U320 SCSI Host Bus Adapter and U320 SCSI Cable

***NOTE:** Customers who deploy SCSI model or option will forfeit the single PCI-X expansion slot by populating slot with SCSI HBA. SCSI option is available on all ATA models while SCSI BTO model is only available on DL145 model with the AMD Opteron Model 250 (2.4GHz/1MB) processor

Overview

At A Glance

- AMD Opteron 8000 series chipset with HyperTransport technology
- 1GB or 2GB of PC2700 DDR SDRAM running at 333MHz with Advanced ECC capabilities standard, expandable to 16GB
- Integrated Dual Broadcom 5704 10/100/1000 NICs (Wake on LAN and PXE capable)
- One 40GB ATA or 36.4GB 15K SCSI hard drive standard (depending on model) with support for up to two Non-Hot-Plug ATA or *SCSI hard drives
- One PCI-X 64-bit/133MHz PCI slot
- Integrated ATI Rage XL with 8MB SDRAM video
- 500W Power Supply (Non-Hot Plug, auto-switching)
- DL145 Lights-Out 100 Integrated Remote Management Card
- 1 x front and 1 x rear USB ports
- Rear accessible shared serial port
- ROM Setup Utility
- Protected by HP Services, one-year limited warranty which is fully supported by HP Services and a worldwide network of resellers and service providers. In addition, 90-day's getting started software telephone support may be covered under the warranty or available for an additional fee. Enhancements to warranty services are available through HP Care Pack services. Certain restrictions and exclusions apply.

***NOTE:** Customers who deploy SCSI model or option will forfeit the single PCI-X expansion slot by populating slot with U320 SCSI HBA.

Standard Features

NOTE: For the Standard Features shipped in the "Factory Integrated Models", please see the "Configuration Information - Factory Integrated Models" section.

Processor AMD Opteron Model 250 (2.4GHz/1MB) processor supporting HyperTransport Technology.
One of the following depending on Model: AMD Opteron Model 248 (2.2GHz/1MB) processor supporting HyperTransport Technology.
 AMD Opteron Model 244 (1.8GHz GHz/1MB) processor supporting HyperTransport Technology.
 AMD Opteron Model 242 series (1.6GHz/1MB) processor supporting HyperTransport Technology.

Memory Protection Advanced ECC capabilities

Memory Type PC2700 DDR SDRAM running at 333MHz
One of the following depending on Model: Standard 1GB (2 x 512MB)
 (NOTE: Available with 1.6GHz models.)
 2GB (2 x 1GB)
 (NOTE: Available with 2.4, 2.2 and 1.8GHz models.)
 Maximum 16GB (8 x 2GB)

Network Controller Integrated Dual Broadcom 5704 10/100/1000 NICs (Wake on LAN and PXE capable)

Expansion Slots	Slot #	Bus Speed	Bus #*	Device #**	Hot Plug (Y/N)	Voltage/ Connector	Notes
	1	64-bit/133MHz PCI	3	1	No	3.3 Volt	

NOTE: For more information regarding PCI-X, please see the following URL: <http://www.hp.com/servers/pci-x>.

NOTE: All slots can accept universal keyed PCI cards.

Storage Controller Integrated Dual Channel Ultra ATA-100 IDE standard or optional U320 SCSI HBA or U320 SCSI HBA standard depending on model

Storage Diskette Drives None
 DVD-ROM None
 Hard Drives One 40GB ATA or one 36.4GB 15K SCSI drive standard depending on model
 Maximum Internal Storage Up to 320GB on ATA Models (2 x 160GB ATA)
 Up to 146GB on SCSI Model (2 X 72.8GB SCSI)

Maximum Internal Storage Type
 ATA Up to 320GB (2 x 160GB)
 SCSI Up to 146GB (2 X 72.8GB)

Standard Features

Interfaces	Parallel	None
	Serial	1
	Pointing Device (Mouse)	1
	Graphics	1
	Keyboard	1
	USB	2 (one front; one rear) NOTE: Please see the following URL for additional information regarding USB support: http://h18004.www1.hp.com/products/servers/platforms/usb-support.html .
	Network RJ-45 (Ethernet)	3 (2 GbE and 1 10MB out of band management NIC)

Graphics	Integrated ATI RAGE XL Video Controller with 8MB SDRAM Video Memory
-----------------	---

Form Factor	Rack Mount (1U)
--------------------	-----------------

Industry Standard Compliance	ACPI V2.0 Compliant
	PCI 2.2 Compliant
	PXE Support
	WOL Support
	Microsoft® Logo certifications
	IPMI 1.5 Compliant

Manageability	DL145 Lights-Out 100 Remote Management Card
	BIOS Serial Console Redirect
	Command Line Interface Support
	Out of Band Power Server On/Off/Reset

Security	Power-on password
	Setup password

Server Power Cords	One Highline IEC Power cord ships standard (for connection to a Power Distribution Unit)
---------------------------	--

Power Supply	500 Watts, auto-switching, PFC (Power Factor Correcting)
---------------------	--

System Fans	5 – Non-hot plug, Non-redundant system fan shipped standard
--------------------	---

Standard Features

OS Support

Microsoft Windows® 2000 Server
Microsoft Windows 2000 Advanced Server
Microsoft Windows 2003 Standard Edition
Microsoft Windows 2003 Enterprise Edition
Microsoft Windows 2003 Web Edition
Red Hat Enterprise Linux 3
SuSE Linux Enterprise Edition 8
VMware Virtualization Software

NOTE: For an up-to-date listing of the latest OS support matrix, please see:

<http://www.hp.com/go/supportos>.

NOTE: For an up-to-date listing of the latest drivers available for the HP ProLiant DL145, please see:

<http://h18023.www1.hp.com/support/files/server/us/index.html>.

NOTE: For more complete and up-to-date information on how to buy server operating systems from HP please visit the OS product site at: <http://h18004.www1.hp.com/products/servers/software/OEM.html>

NOTE: For more information on HP's Certified and Supported ProLiant Servers, please visit the VMware Server Support Matrix at:

<http://h18004.www1.hp.com/products/servers/software/vmware/hpvmwarecert.html>.

ProLiant Essentials

HP Systems Insight
Foundation Pack Software Manager

HP's new HP Systems Insight Manager (HP SIM) helps maximize system uptime and performance and reduce system maintenance costs by providing proactive notification of problems before those problems result in unplanned downtime or reduced productivity. HP SIM are both easy to set up work with the Insight Management Agents, integrated Light-Out and Remote Insight Light-Outs Edition, and Version Control Agents to deliver robust fault, configuration, and asset management as well as remote administration. With HP SIM customers will also be able to take advantage of role-based security; the ability to manage ProLiant, Integrity, and HP 9000 systems; and plug-ins for storage, client, printer, and power management as well as server rapid deployment, performance management, and workload management. For more details on HP SIM visit <http://www.hp.com/go/hpsim>.

Optional ProLiant
Essentials Value Packs

Optional software offerings that selectively extend the functionality of an Adaptive Infrastructure to address specific business problems and needs:

- Intelligent Networking Pack - detects and analyzes network bottlenecks or broken network linkages and steers traffic to the optimum route based on network conditions.
- Vulnerability and Patch Management Pack - identifies and remediates software security vulnerabilities due to missing patches as well as operating system configurations that can be exploited by viruses, worms and other blended threats.

NOTE: Flexible and volume quantity license kits are available for ProLiant Essentials Value Packs. Refer to <http://www.hp.com/servers/proliantessentials> or the various ProLiant Essentials Value Pack product QuickSpecs for more information.

NOTE: For more information regarding ProLiant Essentials Software, please see the following URL: <http://www.hp.com/servers/proliantessentials>.

Standard Features

Factory Express Portfolio for Servers and Storage

HP Factory Express offers configuration, customization, integration and deployment services for HP servers and/or storage products. Customers can choose how their factory solutions are built, tested, integrated, shipped and deployed.

Factory Express offers service packages for simple configuration, racking, installation, complex configuration and design services as well as individual factory services, such as image loading, asset tagging and custom packaging. HP products supported through Factory Express include a wide array of servers and storage: HP Integrity, HP ProLiant, HP ProLiant Server Blades, HP BladeSystem, HP 9000 servers as well as the MSA1000, VA7xxx, EVA3000 & EVA5000, XP, rackable tape libraries and configurable network switches.

For more information on Factory Express services on your specific server model please contact your sales representative or go to <http://www.hp.com/go/factory-express>.

Service and Support

HP Services provides a one-year, limited warranty fully supported by HP Services and a worldwide network of resellers and service providers. In addition, 90-day's getting started software telephone support may be covered under the warranty or available for an additional fee. Enhancements to warranty services are available through HP Care Pack services.

NOTE: Limited warranty includes 1 year parts, 0 years Labor, 0 years on-site support

Care Pack services provide a range of life cycle support options that let you choose the service levels that meet your business requirements, from basic to mission-critical.

A full range of HP Care Pack hardware and software services are available including:

- Installation and start up
- Education courses
- Extended onsite hardware coverage hours from same business day 13 hours, 5 day to 24 hours, 7 days call window with options including 4-hour response or 6-hour Call To Repair
- Comprehensive range of software technical support for Microsoft, Linux and ProLiant Essentials solutions helping to deliver high level of application availability. Response times range from 30 mins for critical problems to 2 hours.
- System Management, Performance Services and Mission Critical Support Solution

HP Care Pack Services include HP branded hardware options qualified for the server, purchased at the same time or afterwards, internal to the enclosure, as well as 22" and smaller external monitors and tower UPS options up to 3KVA. 22" and smaller external monitors will be covered at the same service level and coverage period as the server. For servers or storage systems installed within a rack, service also covers all HP qualified rack options installed within the same rack.

NOTE: For more information on HP Care Pack services, contact any of our worldwide sales offices or resellers or visit our worldwide Web site on the internet at:

<http://www.hp.com/hps/carepack>

NOTE: For more complete information on HP Services offerings, customers and resellers, please visit us at: <http://www.hp.com/hps>

NOTE: Additional information regarding worldwide limited warranty and technical support is available at: <http://h18004.www1.hp.com/products/servers/platforms/warranty/index.html>

Models

ProLiant DL145 2.4GHz Opteron 2GB 365520-001 (ATA Model with optional SCSI)	Processor	AMD Opteron Model 250 (2.4GHz/1MB) processor
	Cache Memory	1MB L2 cache
	Memory	2GB (2 x 1GB) PC2700 DDR SDRAM running at 333MHz, with Advanced ECC capabilities
	Network Controller	Integrated Dual Broadcom 5704 10/100/1000 NICs (Wake on LAN and PXE capable)
	Storage Controller	Integrated Dual Channel Ultra ATA-100 IDE or optional U320 SCSI HBA
	Hard Drive	One 40GB non-hot plug ATA drive standard; support for two ATA (or two SCSI) non-hot plug hard drives
	Internal Storage	Up to 320GB on ATA Models (2 x 160GB); up to 146GB (2 x 72.8 GB) on SCSI models
	Form Factor	Rack Mount (1U)

ProLiant DL145 2.4GHz Opteron 2GB 368232-001 (*SCSI Model only)	Processor	AMD Opteron Model 250 (2.4/1MB) processor
	Cache Memory	1MB L2 cache
	Memory	2GB (2 x 1GB) PC2700 DDR SDRAM running at 333MHz, with Advanced ECC capabilities
	Network Controller	Integrated Dual Broadcom 5704 10/100/1000 NICs (Wake on LAN and PXE capable)
	Storage Controller	Integrated U320 dual-channel SCSI HBA
	Hard Drive	One 36GB 15K non-hot plug SCSI drive standard; support for two non-hot plug SCSI hard drives
	Internal Storage	Up to 146GB (2 x 72.8 GB) on SCSI models
	Form Factor	Rack Mount (1U)
SCSI Model Notes	*Customers who deploy SCSI model will forfeit the single PCI-X expansion slot by populating slot with SCSI HBA	

ProLiant DL145 2.2GHz Opteron 2GB 360520-B21 (ATA Model with optional SCSI)	Processor	AMD Opteron Model 248 (2.2/1MB) processor
	Cache Memory	1MB L2 cache
	Memory	2GB (2 x 1GB) PC2700 DDR SDRAM running at 333MHz, with Advanced ECC capabilities
	Network Controller	Integrated Dual Broadcom 5704 10/100/1000 NICs (Wake on LAN and PXE capable)
	Storage Controller	Integrated Dual Channel Ultra ATA-100 IDE or optional U320 SCSI HBA
	Hard Drive	One 40GB non-hot plug ATA drive standard; support for two ATA (or two SCSI) non-hot plug hard drives
	Internal Storage	Up to 320GB on ATA Models (2 x 160GB ATA)
	Form Factor	Rack Mount (1U)

Models

ProLiant DL145 1.8GHz Opteron 2GB 360519-B21 (ATA Model with optional SCSI)	Processor	AMD Opteron Model 244 (1.8/1MB) processor
	Cache Memory	1MB L2 cache
	Memory	2GB (2 x 1GB) PC2700 DDR SDRAM running at 333MHz, with Advanced ECC capabilities
	Network Controller	Integrated Dual Broadcom 5704 10/100/1000 NICs (Wake on LAN and PXE capable)
	Storage Controller	Integrated Dual Channel Ultra ATA-100 IDE or optional U320 SCSI HBA
	Hard Drive	One 40GB non-hot plugATA drive standard; support for two ATA (or two SCSI) non-hot plug hard drives
	Internal Storage	Up to 320GB on ATA Models (2 x 160GB ATA)
	Form Factor	Rack Mount (1U)

Configuration Information - Factory Integrated Models

NOTE: HP does not allow factory integration of options into standard models listed above.

Configure-to-order servers must start with a CTO Chassis.

NOTE: This product offering does not support HP Factory Express Server Configuration Level 1.

Step 1: Base Configuration

Models	HP ProLiant DL145 Rack Chassis	365172-405
	Factory Integrated Models ship with:	
	Integrated Dual Broadcom 5704 10/100/1000 NICs (Wake on LAN and PXE capable)	
	Integrated Dual Channel Ultra ATA-100 IDE	
	500 Watts, auto-switching, PFC (Power Factor Correcting)	
	Rack Mount (1U)	

Step 2: Choose Required Options (only one of the following from each list unless otherwise noted)

Base Processors	AMD O242 1.8GHz/1MB DL145 FIO BASE	361035-L21
	AMD O248 2.2GHz/ 1MB DL145 FIO BASE	361036-L21
	AMD O250 2.4GHz/ 1MB DL145 FIO BASE	366619-L21

Base Memory	1-GB PC2700 2x512KB FIO BASE	361037-B21
	2-GB PC2700 2x1GB FIO BASE	361038-B21
	4-GB PC2700 2x2GB	361039-B21

Base Hard Drives	40-GB 7,200 rpm ATA, Non-Hot Plug Hard Drive	230534-B21
	80-GB 7,200 rpm, ATA, Non-Hot Plug Hard Drive	278424-B21
	160-GB 7,200 rpm, ATA, Non-Hot Plug Hard Drive	366486-B21
	72-GB 10,000 rpm, U320,SCSI Universal Non-Hot Plug Hard Drive, 1"	332751-B21
	146.8-GB 10,000 rpm, U320 SCSI, Universal Non-Hot Plug Hard Drive, 1"	356990-B21
	36.4-GB 15,000 rpm, U320 SCSI, Universal Non-Hot Plug Hard Drive	357012-B21

Step 3: Choose Additional Factory Integratable Options

Controllers	2-ch U320 SCSI HBA PR ALL	268351-B21
	NOTE: Must select if choosing SCSI Drives in Step 2.	
	DL145 U320 INT CABLE ALL	370520-B21
	NOTE: Must select if choosing 268351-B21	

Operating Systems	Microsoft Windows 2003 Server Standard Edition, Pre-install	339105-B21
	Microsoft Windows 2003 Server Web Edition, Pre-install	339233-B21
	Microsoft Windows 2003 Server Enterprise Edition, Pre-install	339234-B21

Step 4: Choose Additional Options for Factory Integration

NOTE: For additional options, please refer to the "Options" section below.

Options

NOTE: Some options may not be factory integratable. Please contact your local sales representative for additional information.

ProLiant Essentials Value Pack Software	<p>ProLiant Essentials Intelligent Networking Pack ProLiant Essentials Intelligent Networking Pack Windows Edition, Single Server License 372906-B21</p> <p>NOTE: For additional ProLiant Intelligent Networking Pack License Kits please see the QuickSpecs at: http://h18000.www1.hp.com/products/quickspecs/11925_div/11925_div.HTML</p> <p>ProLiant Essentials Vulnerability and Patch Management Pack ProLiant Essentials Vulnerability and Patch Management Pack, 1-Server + 10 Desktop Bundle License 389941-B21</p> <p>NOTE: For additional ProLiant Vulnerability and Patch Management Pack License Kits, please see the QuickSpecs at: http://h18000.www1.hp.com/products/quickspecs/12111_div/12111_div.HTML</p> <p>NOTE: Flexible and volume quantity license kits are available for ProLiant Essentials Value Packs. Refer to http://www.hp.com/servers/proliantessentials or the various ProLiant Essentials Value Pack product QuickSpecs for more information. NOTE: For more information regarding ProLiant Essentials Software, please see the following URL: http://www.hp.com/servers/proliantessentials.</p>
--	--

ProLiant DL145 Unique Options	<p>DL145 CTO Rack Shipping Bracket 372851-B21</p> <p>NOTE: The DL145 CTO Rack Shipping Bracket is required for customers who are purchasing DL145 systems as part of a factory integrated rack. Each kit contains 4 shipping brackets, one bracket per server. For example, a factory integrated rack with 32 nodes would require 8 DL145 CTO Rack Shipping Bracket kits.</p> <p>DL145 U320 SCSI Cable 370520-B21</p> <p>NOTE: The DL145 U320 SCSI Cable is required for customers who wish to upgrade any DL145 ATA model with SCSI functionality. This cable comes standard in the DL145 SCSI BTO Model, part number 368232-001.</p>
--------------------------------------	--

Processor	<p>AMD Opteron Model 242 (1.6GHz/1MB) Processor Option Kit 361034-B21</p> <p>AMD Opteron Model 244 (1.8GHz/1MB) Processor Option Kit 361035-B21</p> <p>AMD Opteron Model 248 (2.2GHz/1MB) Processor Option Kit 361036-B21</p> <p>AMD Opteron Model 250 (2.4GHz/1MB) Processor Option Kit 366619-B21</p>
------------------	---

Memory (DIMMs)	<p>1GB of Advanced ECC PC2700 DDR SDRAM DIMM Memory Kit (2 x 512 MB) 361037-B21</p> <p>2GB of Advanced ECC PC2700 DDR SDRAM DIMM Memory Kit (2 x 1GB) 361038-B21</p> <p>4GB of Advanced ECC PC2700 DDR SDRAM DIMM Memory Kit (2 x 2GB) 361039-B21</p>
-----------------------	---

Optical Drives	<p>DVD-ROM Option Kit 361040-B21</p>
-----------------------	--------------------------------------

Options

Storage Controllers	Ultra320 SCSI HBA (for internal drives only)	268351-B21
	64-Bit/133-MHz Single Channel Ultra320 SCSI HBA G2	374654-B21
	U320 SCSI Cable (SCSI Cable is required for SCSI functionality)	370520-B21
	FCA 2214 Host Bus Adapter (32-bit Windows & Linux only)	281541-B21
	FCA 2214DC Dual Channel Host Bus Adapter (32-bit Windows & Linux only)	321835-B21
External Storage	HP StorageWorks Modular Smart Array 1000	201723-B22
	NOTE: Please see the Modular Smart Array 1000 QuickSpecs for additional options and configuration information at: http://h18000.www1.hp.com/products/quickspecs/11033_ca/11033_ca.HTML	
Communications	HP NC150T PCI 4-port Gigabit 1000T Combo Switch Adapter	367132-B21
	HP NC310F PCI-X 1000SX Gigabit Server Adapter	368169-B21
	HP NC320T PCI Express 1000T Gigabit Server Adapter	367047-B21
	HP NC1020 PCI 1000T Gigabit Server Adapter	353377-B21
	HP NC6170 PCI-X Dual Port 1000SX Gigabit Server Adapter	313879-B21
	HP NC7170 PCI-X Dual Port 1000T Gigabit Server Adapter	313881-B21
	HP NC7771 PCI-X 1000T Gigabit Server Adapter	290563-B21
	HP NC570C PCI-X Dual-port 4x Fabric Adapter	376158-B21
	HP NC571C PCI Express Dual-port 4x Fabric Adapter	376160-B21
	HP 24-Port 4x Fabric Copper Switch	376227-B21
	HP 4x Fabric 1m Copper Cable	376232-B21
	HP 4x Fabric 3m Copper Cable	376232-B22
	HP 4x Fabric 5m Copper Cable	376232-B23
	Myrinet-Fiber/PCI-X Interface (Dual channel Rev. D card)	360040-B21
	Myrinet XP-Fiber/PCI-X interface, M3F-PCIXD-2	257894-006
HP KVM Switch Options	HP 1x4 USB/PS2 KVM TableTop Switch	371301-D71
	HP 1x4 USB/PS2 KVM Rack-mount Switch	371302-B21
	HP 6 foot, 2-pack, PS2 w/audio KVM Cable	371730-B21
	HP 6 foot, 2-pack, USB w/audio KVM Cable ,	371729-B21
	Server Console Switch (KVM), 0 x 1 x 8 port	336044-B21
	Server Console Switch (KVM), 0 x 2 x 16 port	336045-B21
	IP Console Switch Box (KVM/IP), 1 x 1 x 16	262585-B21
	IP Console Switch Box (KVM/IP), 3 x 1 x 16	262586-B21
	CAT5 KVM Serial Interface Adapter	373035-B21
	PS/2 Interface Adapter, 8 pack	262587-B21
	PS/2 Interface Adapter, 1 pack	262588-B21
	CAT5 KVM USB Interface Adapter, 1 pack	336047-B21
	CAT5 KVM Expansion Module	262589-B21

Options

Hard Drives	40-GB 7,200 rpm ATA, Non-Hot Plug Hard Drive	230534-B21
	80-GB 7,200 rpm, ATA, Non-Hot Plug Hard Drive	278424-B21
	160-GB 7,200 rpm, ATA, Non-Hot Plug Hard Drive	366486-B21
	72.8-GB 10,000 rpm, U320 SCSI Universal Non-Hot Plug Hard Drive, 1"	332751-B21
	146.8-GB 10,000 rpm, U320, SCSI Universal Non-Hot Plug Hard Drive, 1"	356990-B21
	36.4-GB 15,000 rpm, U320 SCSI Universal Non-Hot Plug Hard Drive, 1"	357012-B21
NOTE: ATA drives include a one-year warranty		

USB Options	HP USB 2-Button Optical Scroll Mouse (Carbonite/Silver)	DC172B
	USB 1.44-MB External Diskette Drive	DC141B

Service and Support Offerings (HP Care Pack Services)	Hardware Services 4-Hour On-site Service	
	13-Hour x 5-Day Coverage, 3 Years (U.S. Part Number)	351583-001
	13-Hour x 5-Day Coverage, 3 Years, Electronic	U9509E
	24-Hour x 7-Day Coverage, 3 Years (U.S. Part Number)	351584-001
	24-Hour x 7-Day Coverage, 3 Years, Electronic	U9510E
	Hardware Services Next Business Day On-Site Service	
	9-Hour x 5-Day Coverage, 3 Years (U.S. Part Number)	351582-001
	9-Hour x 5-Day Coverage, 3 Years, Electronic	U9508E
	Hardware Services 6-Hour Call to Repair On-Site Service	
	6-Hour Call to Repair, On-site Service 7-Day x 24-Hour Coverage, 3 Years (U.S. Part Number)	351586-001
	6-Hour Call to Repair, On-site Service, 7-Day x 24-Hour Coverage, 3 Years, Electronic	U9511E
	Hardware Installation (US Part Number)	351585-001
	Hardware Installation, Electronic	U9520E
	NOTE: For more information, customer/resellers can contact http://www.hp.com/services/carepack .	

Tested Product List

NOTE: The Tested Product List (TPL) is a list of HP and standard 3rd party devices (hardware or software) that have been tested by either HP or independent test houses for basic compatibility with the HP ProLiant DL145 server. HP products are supported by HP, non-HP products are not supported by HP. For non-HP products, you must obtain support from their own manufacturer. Non-HP third party products have been tested only for compatibility with the specified HP server. This level of testing confirms proper device recognition by the HP server and basic compatibility with the identified HP server. HP disclaims all responsibility and liability for the manufacturing, distribution, marketing, licensing, installation, use, performance, maintenance, safety, regulatory certification, and support of these 3rd party products.

HPTC Interconnect	Manufacturer	Myricom
	Product	Myrinet XP -Fiber/PCI-X interface, M3F-PCIXD-2
	Data Transfer Method	64-bit, 133/66MHz PCI-X/PCI Bus Master

Memory

NOTE: Memory configurations listed do not apply to "Factory Integrated Models".

HP ProLiant DL145 Single Processor Models

Standard Memory

1GB (2 x 512MB) or 2GB (2 x 1GB) of PC2700 DDR SDRAM running at 333MHz, with Advanced ECC capabilities Memory installed (depending on model).

Maximum Memory

Up to 16GB of memory is available with the removal of the standard 512MB or 1GB of memory and the optional installation of 2GB PC2700 Registered ECC DDR SDRAM DIMM Memory kits.

Memory Options

The server provides double data rate (DDR) synchronous dynamic RAM (SDRAM) that can improve memory clock speed to at least 333-MHz. It activates output on both the rising and falling edge of the system clock rather than on just the rising edge, potentially doubling output. The server features the following advanced memory technologies:

1. Support for up to 16 GB of industry-standard PC2700 registered ECC DDR SDRAM memory
2. Dual-Channel Memory Architecture

Memory Guidelines

1. Bank 1A must always be populated.
2. DIMMs must be installed in pairs and starting at the bank closest to the processor.
3. All DIMMs in a bank must have the same part number.
4. DIMMs on different banks can be of different sizes.
5. Processor 2 must be installed before banks 2A and 2B are populated.
6. If processor 2 is installed, it is recommended that bank 2A be populated before populating bank 1B.

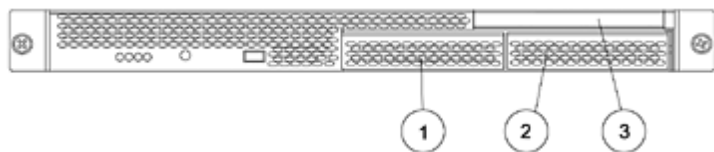
NOTE: Chart does not represent all possible memory configurations.

Memory	Slot							
	1	2	3	4	5	6	7	8
Standard (1GB)	512MB	512MB	Empty	Empty	Empty	Empty	Empty	Empty
Maximum (16GB)	2GB	2GB	2GB	2GB	2GB	2GB	2GB	2GB

Following are memory options available from HP:

- 1GB of Advanced ECC PC2700 DDR SDRAM DIMM Memory Kit (2 x 512 MB) 361037-B21
- 2GB of Advanced ECC PC2700 DDR SDRAM DIMM Memory Kit (2 x 1GB) 361038-B21
- 4GB of Advanced ECC PC2700 DDR SDRAM DIMM Memory Kit (2 x 2GB) 361039-B21

Storage



- 1, 2 Two 1" Non-Hot Plug ATA-100 or U320 SCSI Hard Drive Bays
- 3 24x IDE (ATAPI) DVD-ROM (optional)

Drive Support

Removable Media

	Quantity Supported	Position Supported	Controller
IDE (ATAPI) DVD-ROM Drive	Up to 1	3	Integrated IDE (ATAPI) (optional)

Hard Drives

ATA/100 IDE - Non-Hot Plug

	Quantity Supported	Position Supported	Controller
1-inch			
40.0 GB	Up to 2	0, 1	Integrated Dual Channel Ultra ATA-100 Adapter
80.0 GB	Up to 2	0, 1	Integrated Dual Channel Ultra ATA-100 Adapter
160.0 GB	Up to 2	0, 1	Integrated Dual Channel Ultra ATA-100 Adapter

SCSI - Non-Hot Plug

	Quantity Supported	Position Supported	Controller
1-inch			
36.4 GB 15K	Up to 2	0, 1	U320 SCSI Host Bus Adapter (standard on SCSI models and optional on ATA models)
72 GB 10K	Up to 2	0, 1	U320 SCSI Host Bus Adapter (standard on SCSI models and optional on ATA models)

Power Specifications

Spare Kit	361620-001
Operational Input Voltage Range (Vrms)	85Vac to 264Vac full range (auto-switching)
Frequency Range (Nominal) (Hz)	50 Hz to 60 Hz
Power Output	500W Nominal
Power Cords (Nema 5-15P to IEC320-C13)	
Standard Power Cord Part Number (US)	163719-002
Option Power Cord Part Number (US)	227099-001

Technical Specifications

System Unit	Dimensions (HxWxD)	1.7 x 17 x 28 inches		
	Weight (approximate; fully configured)	26.5 lb (12.0 kg)		
	Input Requirements (per power supply)	Range Input Voltage	85 VAC to 264 VAC	
		Normal Line Voltage	115 or 230 VAC	
	Line Frequency	50 to 60 Hz		
	Rated Input Current load	2.5A @ 100V, 1.0A @ 240V		
	BTU Rating	1006 BTU-Hr (max configuration)		
	Power Supply Output Power (per power supply)	Rated Steady-State Power	500W	
		Temperature Range	Operating	50° to 93° F (10° to 35° C)
	Shipping		-40° to 140° F (-40° to 60° C)	
	Relative Humidity (non-condensing)	Operating	210% to 80%	
		Non-operating	5% to 95%	
	Acoustic Noise	Idle (Fixed Disk Drives Spinning)	L WAd (BELS)	7.3
			Operating (Random Seeks to Fixed Disks)	
		Operating (Random Seeks to Fixed Disks)	L WAd (BELS)	7.3

Non-Hot Plug ATA/100 Hard Drives 230534-B21	40 GB 7.2K	Capacity	40027 MB		
		Height	1.0 in (2.54 cm)		
		Width	4.0 in (10.16 cm)		
		Interface	ATA 100		
		Transfer Rate Synchronous (Maximum)	100 MB/s		
		Seek Time (typical reads, including settling)	Single Track	0.8 ms	
			Average	8.5 ms	
			Full-Stroke	17.8 ms	
			Rotational Speed	7,200 rpm	
		Physical Configuration	Bytes/Sector	512	
			Logical Blocks	78,177,792	
		Operating Temperature	41° to 131° F (5° to 55° C)		

Technical Specifications

Non-Hot Plug U320 SCSI
Hard Drive
357012-B21

Capacity	36419.2 MB	
Height	1.0 in/2.54 cm	
Width	4.0 in/10.16 cm	
Interface	Ultra320 SCSI	
Seek Time (typical reads, including settling)	Single Track	0.4 ms
	Average	3.8 ms
	Full-Stroke	8ms
Physical Configuration	Rotational Speed	15,000 rpm
	Bytes/Sector	512
	Logical Blocks	71,132,000
Operating Temperature	50° to 95° F (10° to 35° C)	

Integrated Dual Channel
Ultra ATA-100 Adapter
(ATA Models only)

Drives Supported	Up to 2 IDE devices
Channels	2 (ATA Drives, CDROM)
Storage Capacity	320 (2X160) GB internal storage
Data Transfer Method	32-bit/33-MHz PCI bus-master
Maximum ATA Channel Transfer Rate	100 MB/s per channel
Maximum Transfer Rate per PCI Bus (peak)	266 MB/s per channel
ATA Protocols	UDMA Mode[0-5]
	PIO Mode[0-4]
ATA 100 Cable	80-Conductor Cable
Internal ATA Connectors	Two 40-Pin Connectors (primary and secondary)

64-Bit/133-MHZ PCI-X
Dual Channel Ultra320
SCSI HBA (ATA Models
with SCSI option and SCSI
Model Standard)
268351-B21

SCSI Protocols	Ultra320 SCSI Ultra3 SCSI Wide Ultra2 SCSI Ultra SCSI
Electrical Protocol	Low Voltage Differential (LVD)
Drives Supported	Up to 28
Storage Capacity	Up to 145.6 GB (2 x 72.8 GB 10K HDD)
Data Transfer Method	64-bit/133-MHz PCI-X bus-master
Maximum Host Bus Transfer Rate	532 MB/s
Maximum SCSI Transfer Rate	320 MB/s
Operating System Support	Microsoft Windows 2000, 2003, SBS 2003; Linux Red Hat Advanced Server 2.1, 3; SLES SuSE 7
External SCSI Connectors	One 68-Pin VHDCI connectors
Internal SCSI Connectors	One SCSI-3 (68-Pin) for Channel A

Technical Specifications

Integrated Dual Broadcom 5704 10/100/1000 NICs (Wake on LAN and PXE capable)	Network Interface	10Base-T/100Base-TX/1000Base-TX	
	Compatibility	IEEE 802.3 10Base-T	
		IEEE 802.3 1000Base-T	
		IEEE 802.3 100Base-TX	
	Data Transfer Method	64-bit, 133MHz PCI(X)1.0	
	Network Transfer Rate	10Base-T (Half-Duplex)	10 Mb/s
		10Base-T (Full-Duplex)	20 Mb/s
		100Base-TX (Half-Duplex)	100 Mb/s
		100Base-TX (Full-Duplex)	200 Mb/s
		1000Base-TX (Full-Duplex)	2000 Mb/s
Connector	RJ-45		
Cable Support	10Base-T	Categories 3, 4 or 5 UTP; up to 328 ft (100 m)	
	10/100/1000Base-TX	Category 5 UTP (2 Pair); up to 328 ft (100 m)	

© Copyright 2005 Hewlett-Packard Development Company, L.P.

The information contained herein is subject to change without notice.

Microsoft and Windows NT are US registered trademarks of Microsoft Corporation. AMD, Opteron, and Hyper-Transport are trademarks of AMD Corporation in the United States and other countries.

The only warranties for HP products and services are set forth in the express warranty statements accompanying such products and services. Nothing herein should be construed as constituting an additional warranty. HP shall not be liable for technical or editorial errors or omissions contained herein.